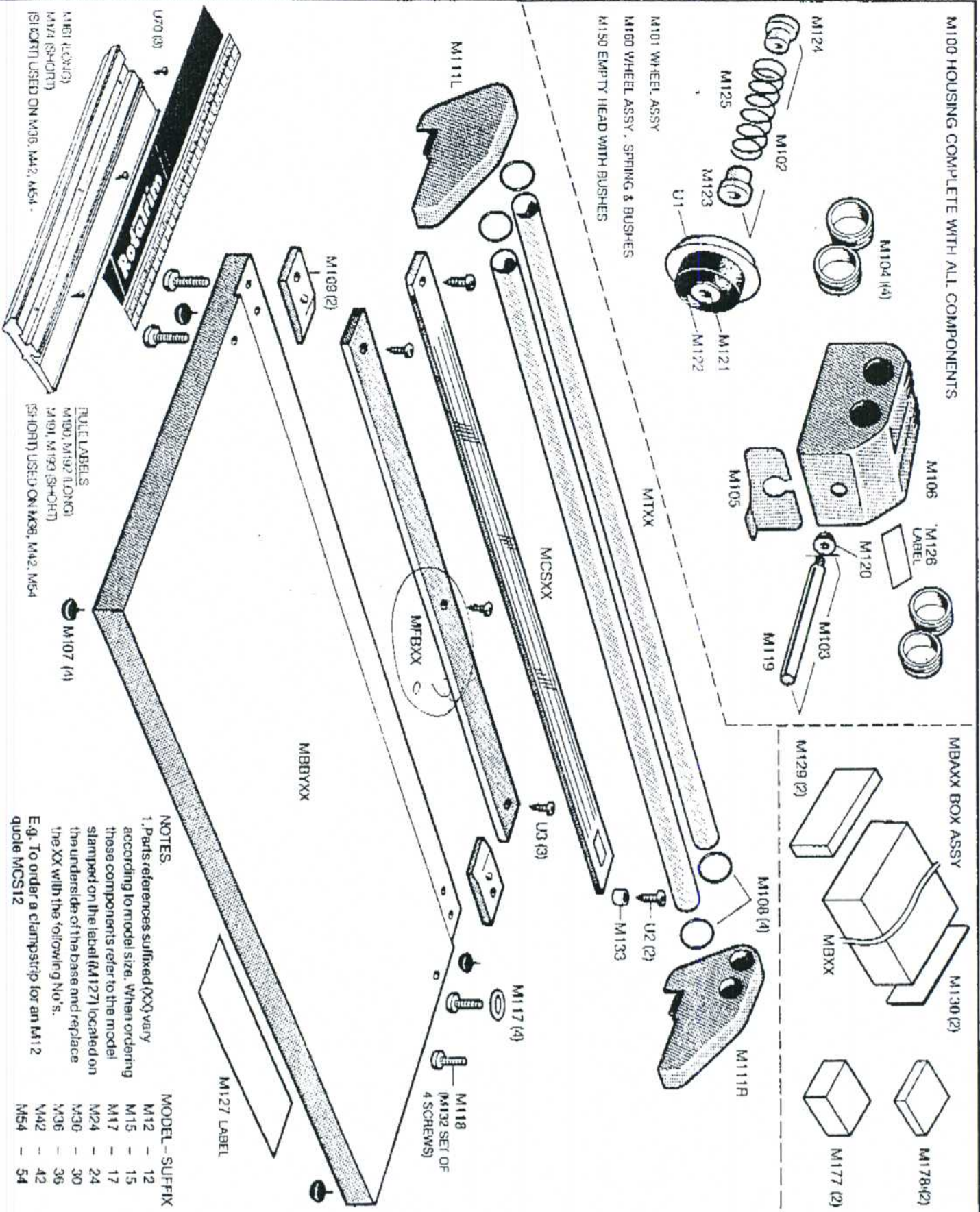


ROTATRIM M-SERIES SPARES CHART



NOTES:
1. Parts references suffixed (XX) vary according to model size. When ordering these components refer to the model stamped on the label (M127) located on the underside of the base and replace the XX with the following No's.

MODEL - SUFFIX

M12	-	12
M15	-	15
M17	-	17
M24	-	24
M30	-	30
M36	-	36
M42	-	42
M54	-	54

Eg: To order a clampstrip for an M12 quote MCS12



Rotatrim Limited
35-43 Dudley Street, Luton LU2 0NP, England
Telephone: (0582) 420441
Fax: (0582) 402692 Telex: 825966, Cutter G.