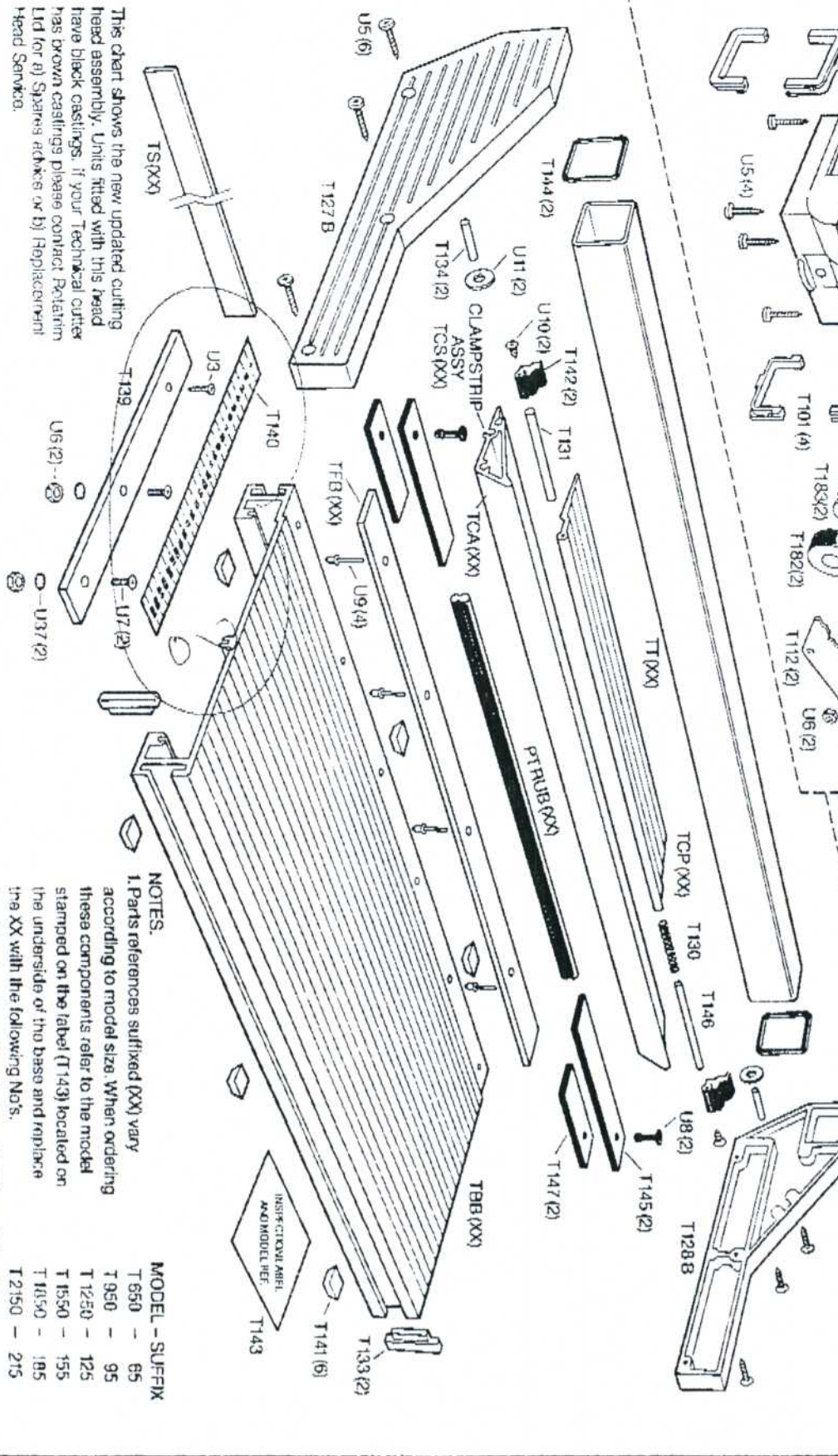
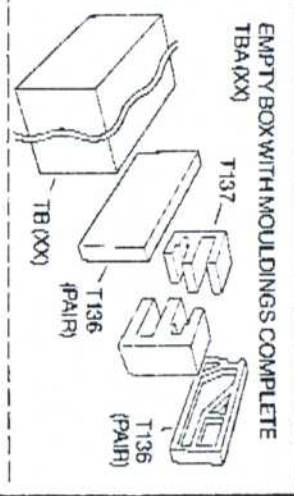
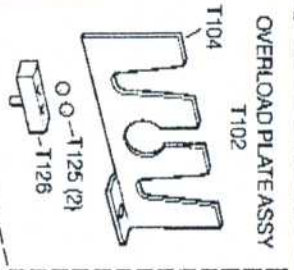
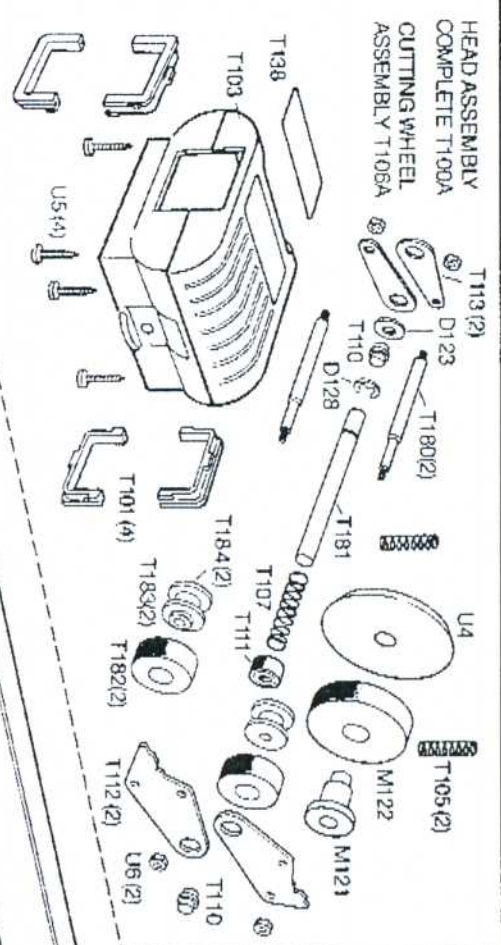


ROTATRIM TECHNICAL SERIES SPARES CHART



NOTES:

1. Parts references suffixed (XX) vary according to model size. When ordering these components refer to the model stamped on the label (T143) located on the underside of the base and replace the XX with the following No's.

MODEL - SUFFIX

T 650 -	65
T 950 -	95
T 1250 -	125
T 1350 -	155
T 1850 -	185
T 2150 -	215

Patent No. 2141371



Rotatrim Limited
 35-43 Dudley Street, Luton, LU2 0NP, England.
 Telephone: (0582) 420441
 Fax: (0582) 402392 Telex: 826966, Cutter G.