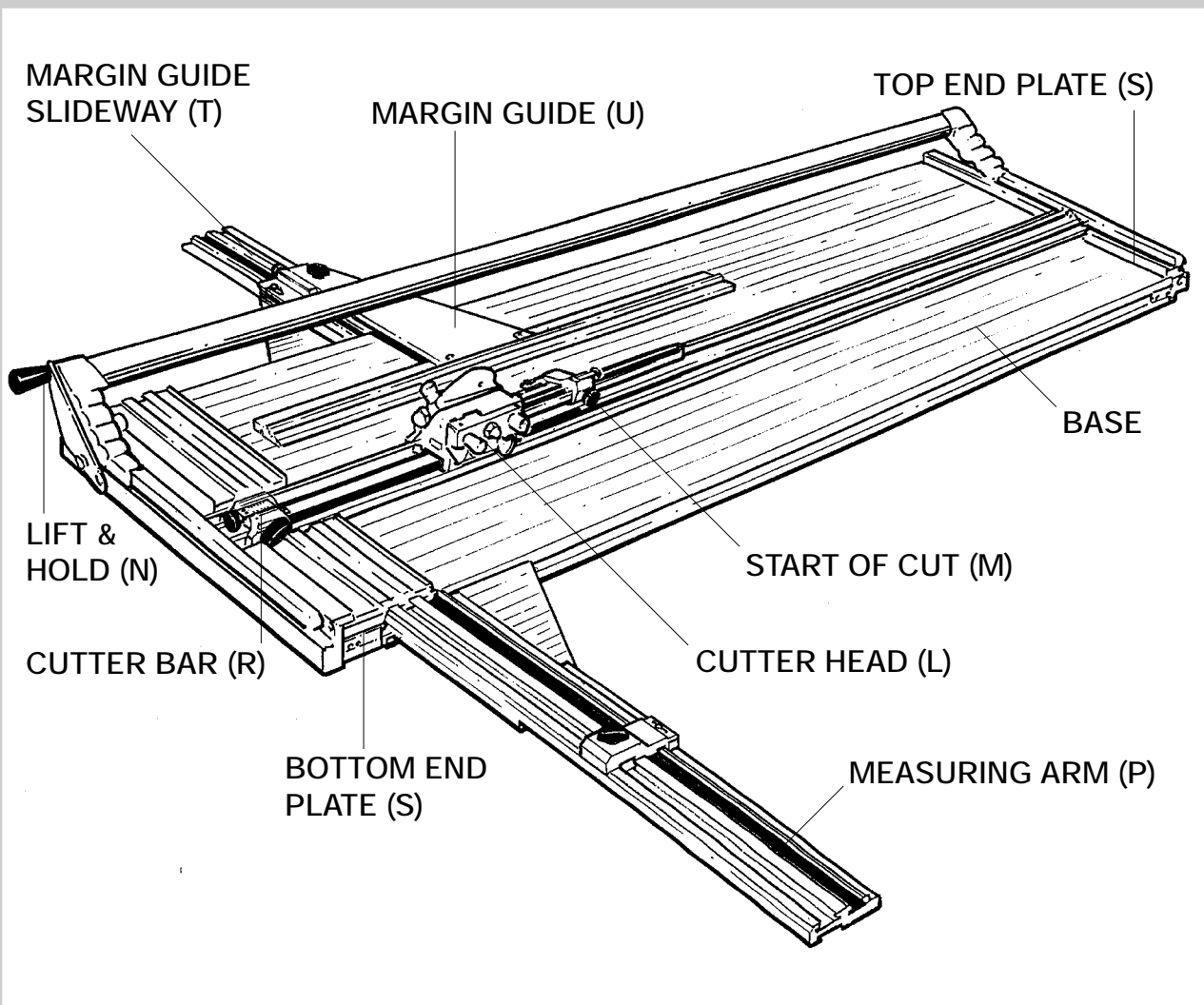


**KEENCUT**

# ULTIMAT GOLD

## SPARE PART REFERENCE

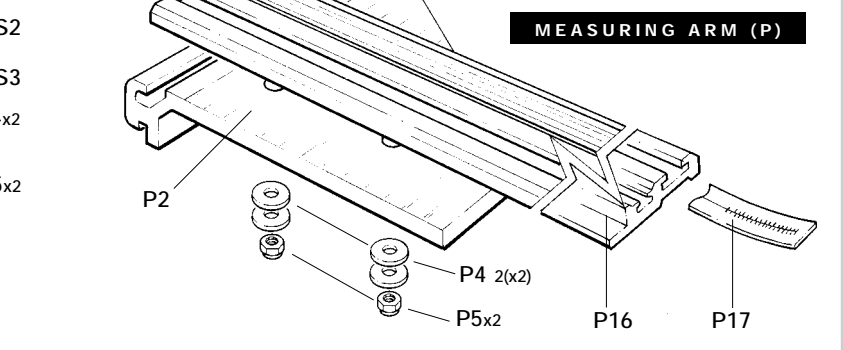
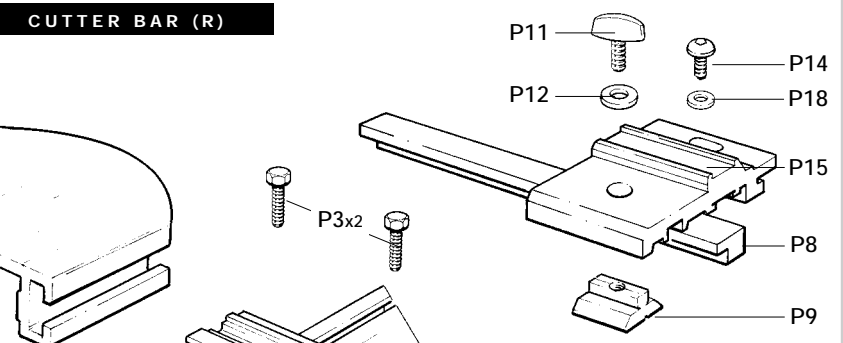
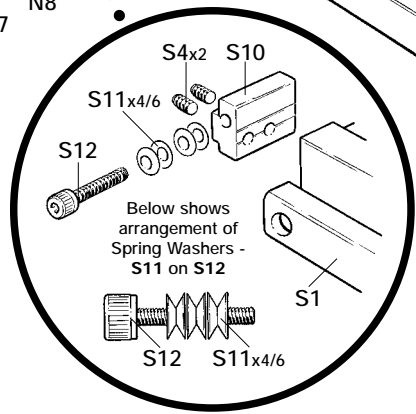
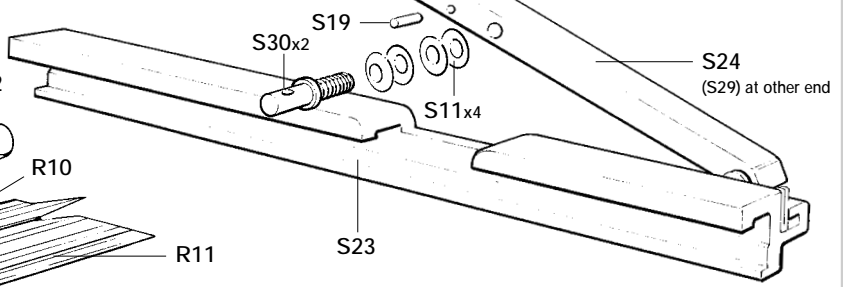
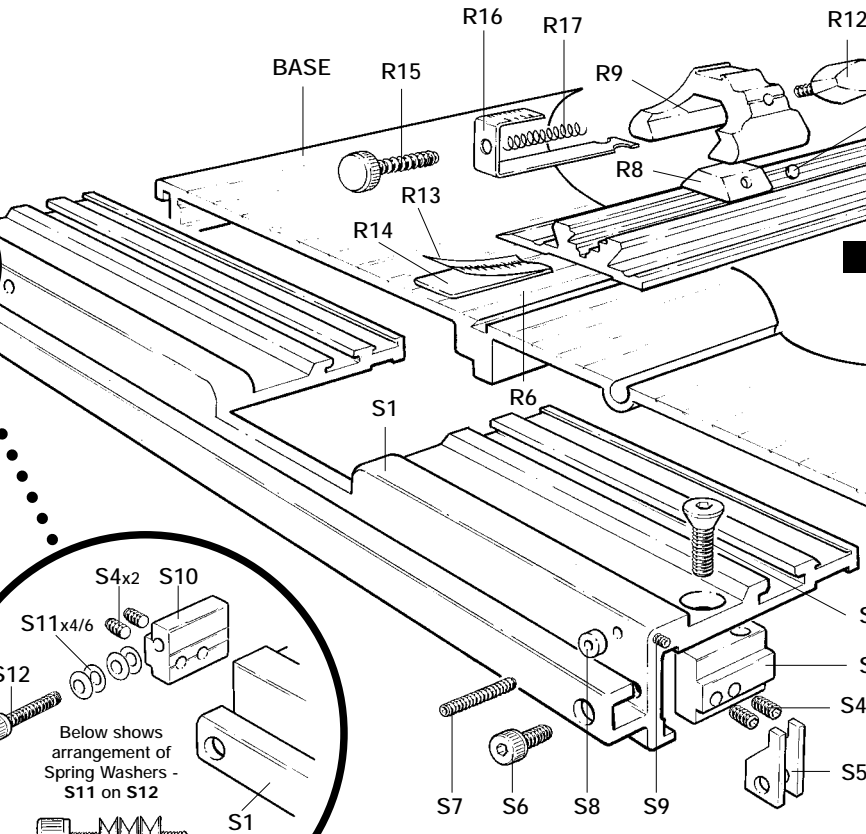
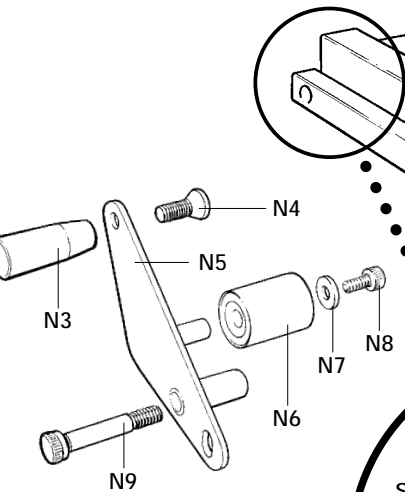
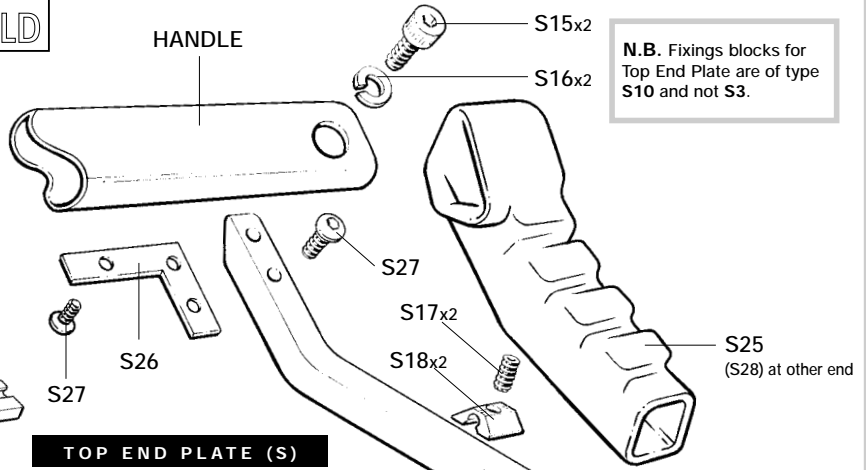
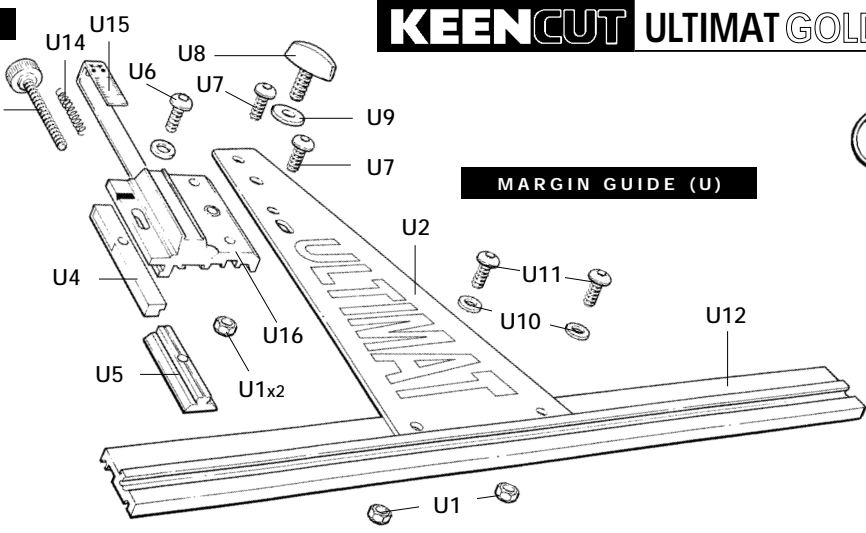
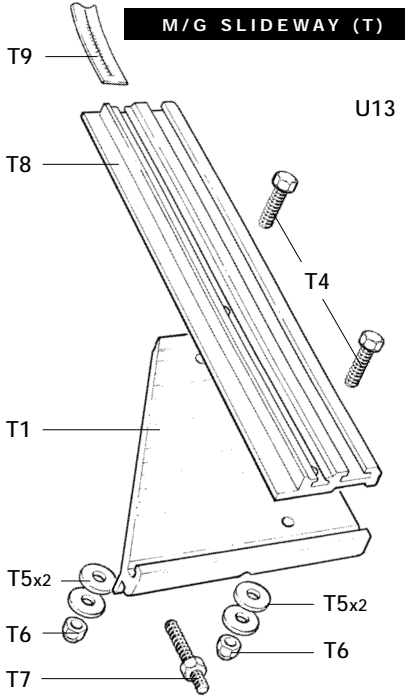


**KEENCUT**

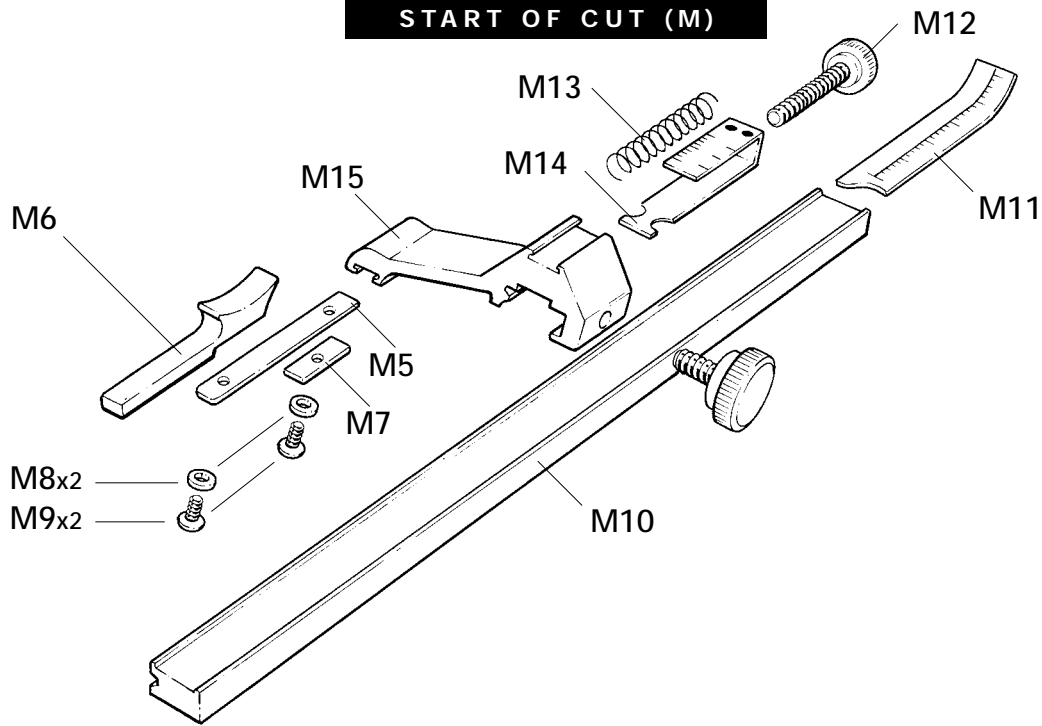
THE WORLD'S FINEST CUTTING MACHINES

# KEENCUT ULTIMAT GOLD

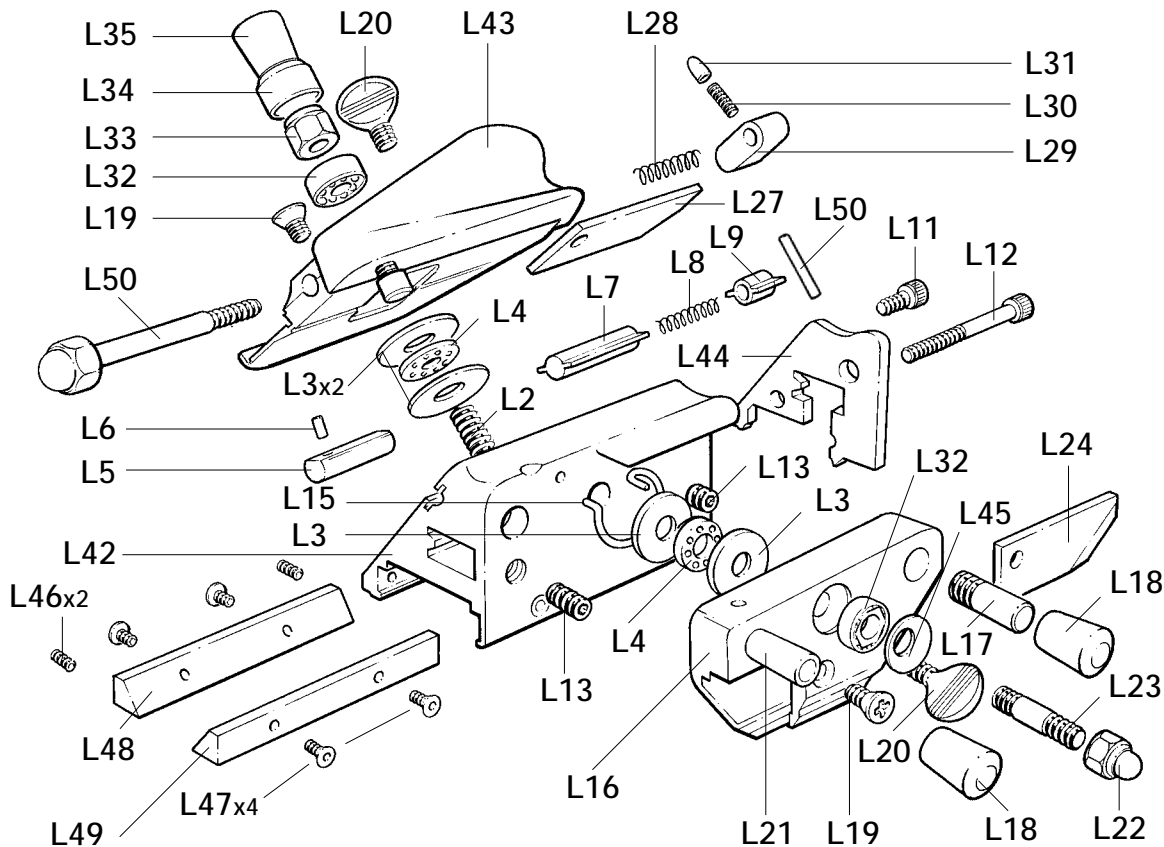
N.B. Fixings blocks for Top End Plate are of type S10 and not S3.



**START OF CUT (M)**



**CUTTER HEAD (L)**



Produced by The Creative Workshop, all rights reserved. All information contained in this leaflet, or parts thereof, may not be reproduced in any form without permission of KEENCUT LIMITED.

**ULTIMAT GOLD**



THE WORLD'S FINEST CUTTING MACHINES

**KEENCUT LIMITED,**  
Tyson Courtyard, Weldon South Industrial Estate, Corby,  
Northants, ENGLAND NN18 8AZ.  
TELEPHONE: 01536 263158 FAX: 01536 204227

**KEENCUT INC, (North American Sales)**  
3560 Pine Grove Ave.#366 Port Huron, Michigan, 48060 USA.  
Toll Free: 1 800 240 KEEN(5336)  
TELEPHONE: 1(519) 652 0970 FAX: 1(519) 652 0396